



Designing Chartres

NAME:

CLASS:

DATE:



Basic

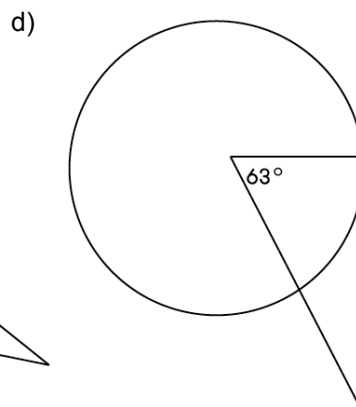
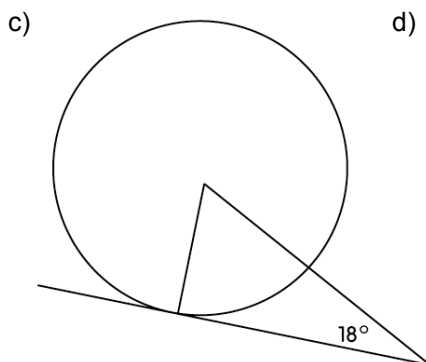
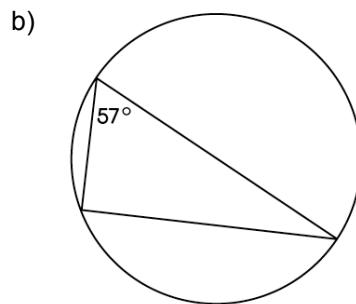
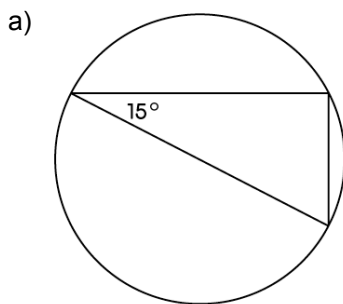
1) Calculate the radii of circles with diameters of:

- a) 10cm
- b) 15cm
- c) 12.6cm
- d) 13.9cm

2) Calculate the diameters of circles with radii of:

- a) 7cm
- b) 9cm
- c) 8.6cm
- d) 19.8cm

3) Calculate the size of all the angles in the following diagrams:



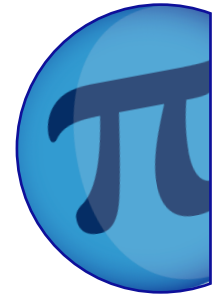


Designing Chartres

NAME:

CLASS:

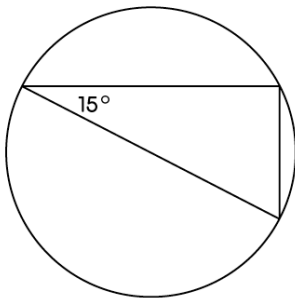
DATE:



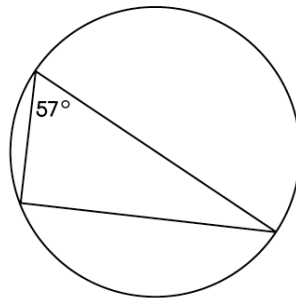
Core

1) Calculate the size of all the angles in the following diagrams:

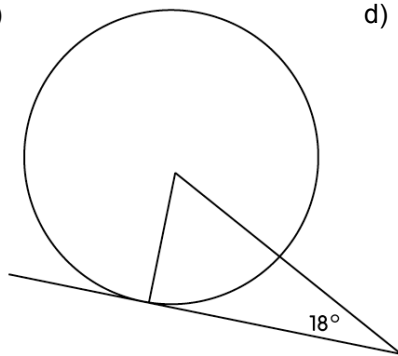
a)



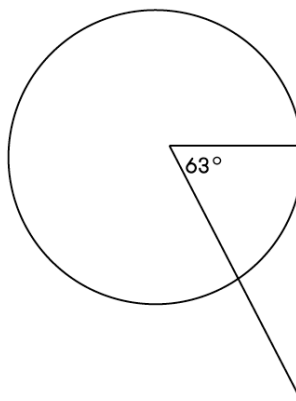
b)



c)

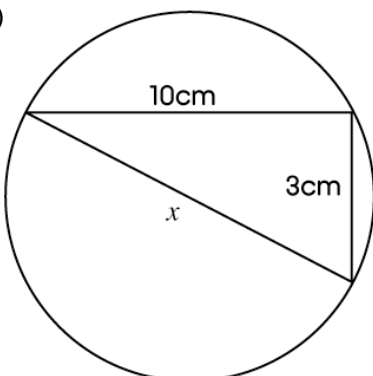


d)

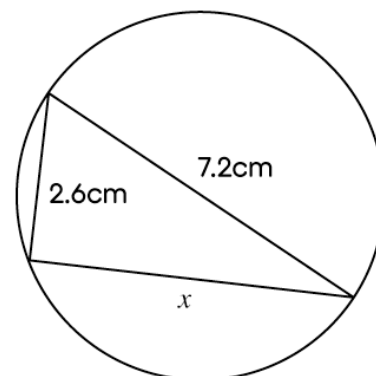


2) Calculate the length of side x in the diagrams below:

a)



b)





Designing Chartres

NAME:

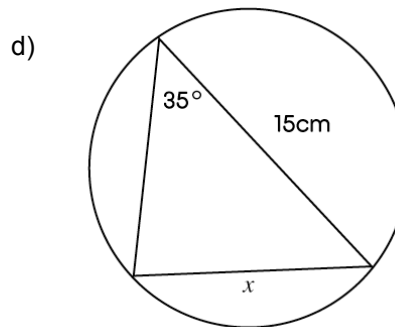
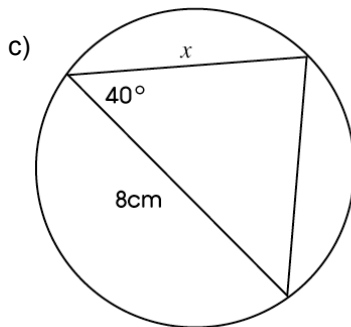
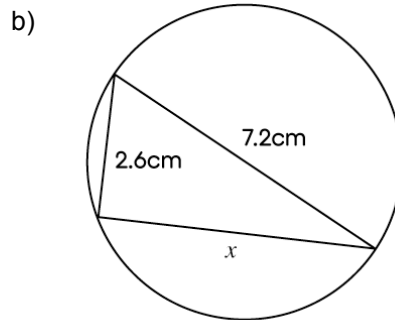
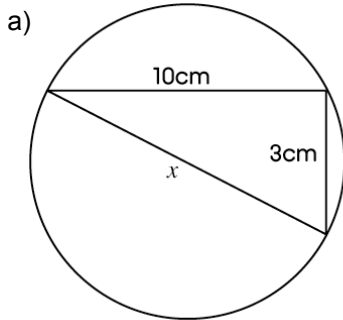
CLASS:

DATE:

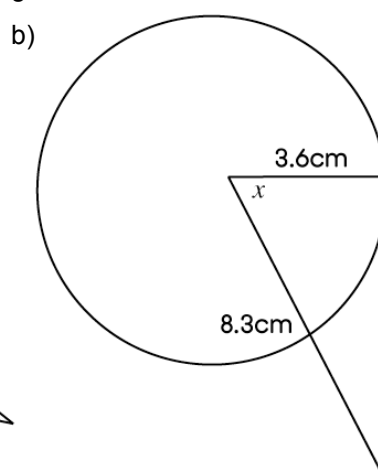
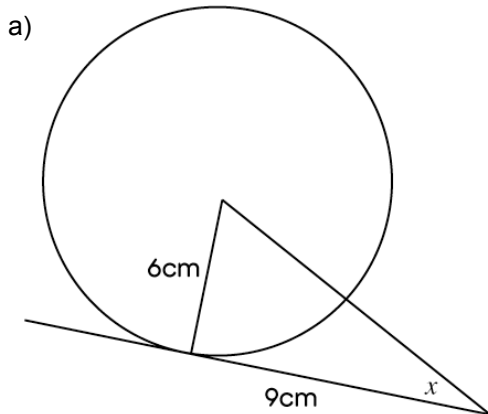


Advanced

1) Calculate the length of side x in the diagrams below:



2) Calculate the size of angle x in the diagrams below:





Designing Chartres

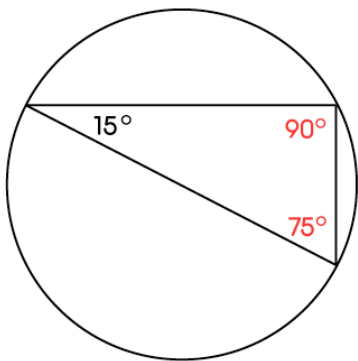
ANSWERS

Basic

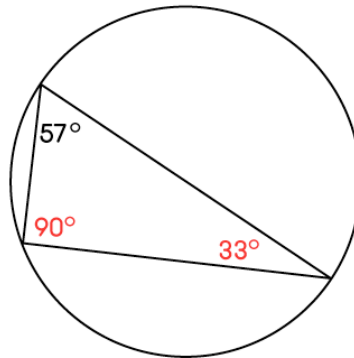
1) a) 5cm b) 7.5cm c) 6.3cm d) 6.95cm

2) a) 14cm b) 18cm c) 17.2cm d) 39.6cm

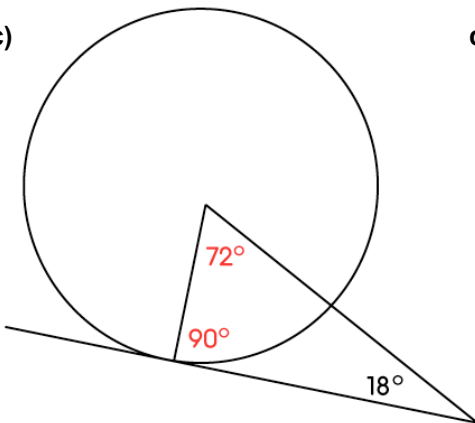
3) a)



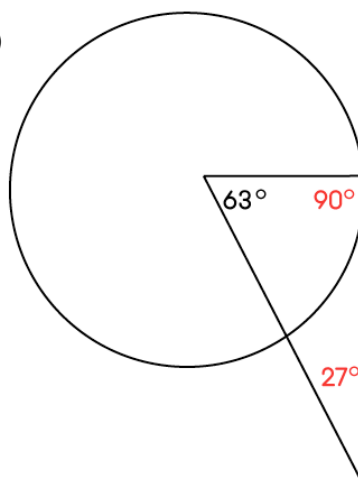
b)



c)



d)





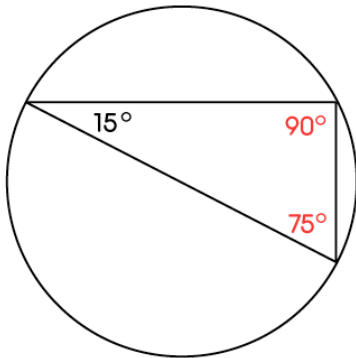
Designing Chartres

ANSWERS

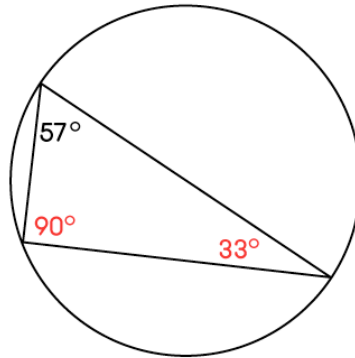
Core

1)

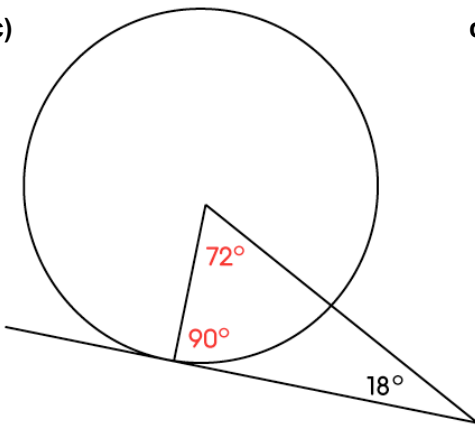
a)



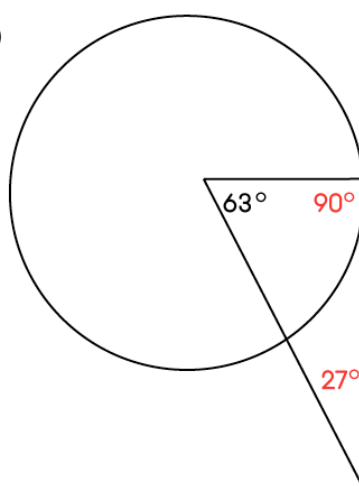
b)



c)

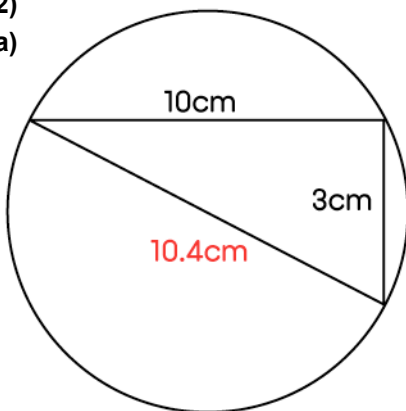


d)

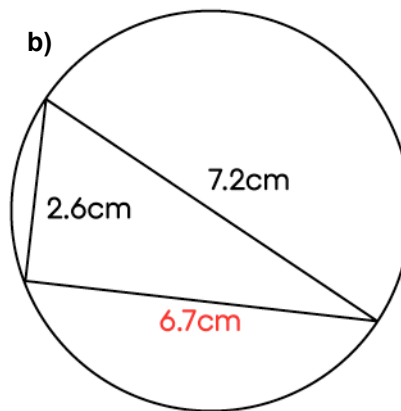


2)

a)



b)





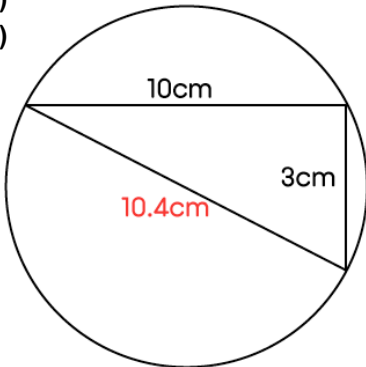
Designing Chartres

ANSWERS

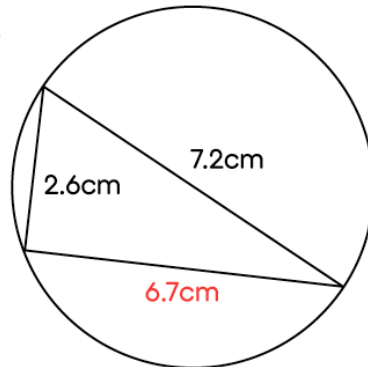
Advanced

1)

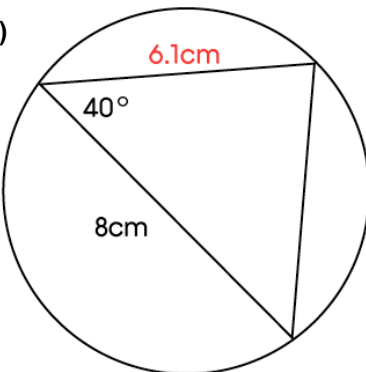
a)



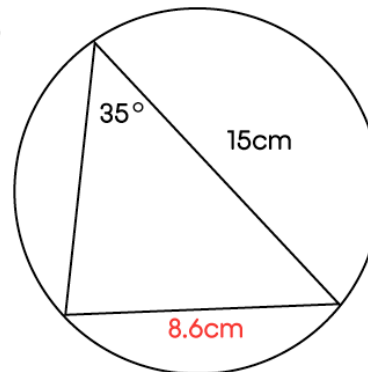
b)



c)

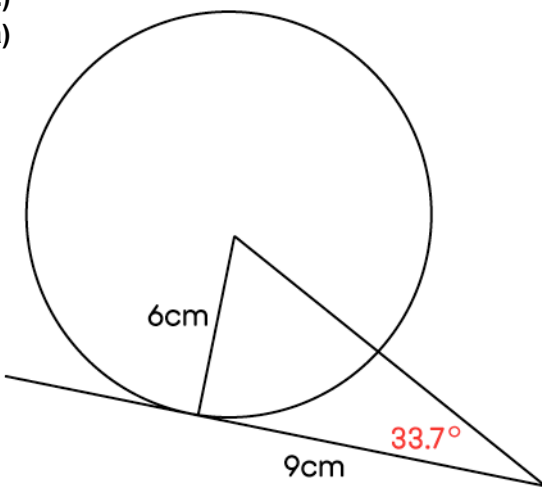


d)



2)

a)



b)

