

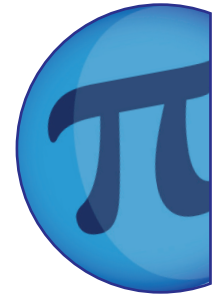


Volume: Counting Stars

NAME:

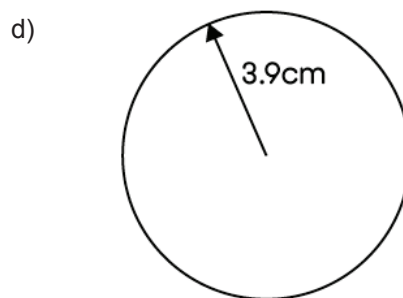
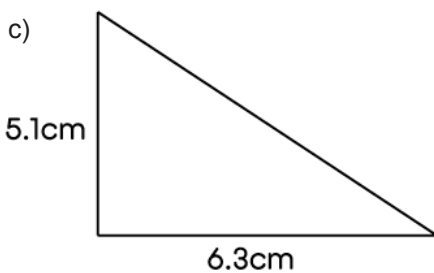
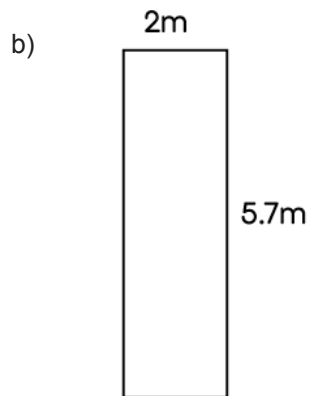
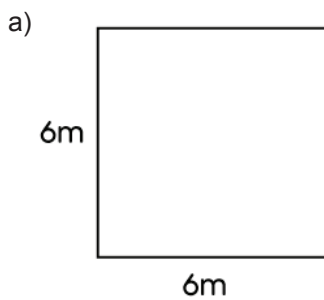
CLASS:

DATE:



Basic

1) Calculate the areas of the following shapes:



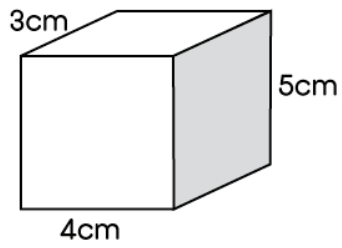


Volume: Counting Stars

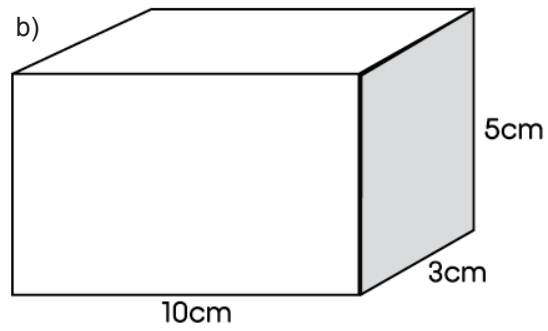
Basic

2) Calculate the volumes of the cuboids below:

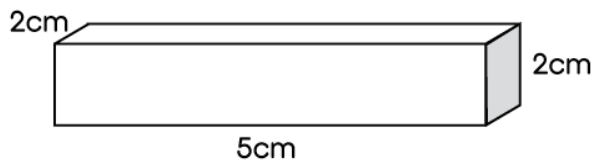
a)



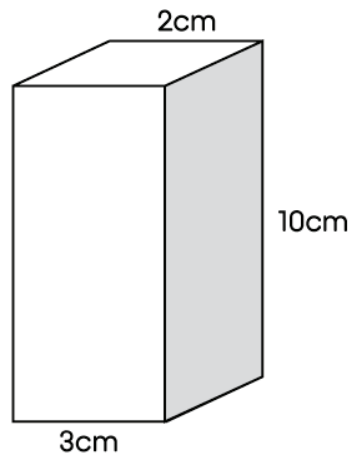
b)



c)



d)





Volume: Counting Stars

NAME:

CLASS:

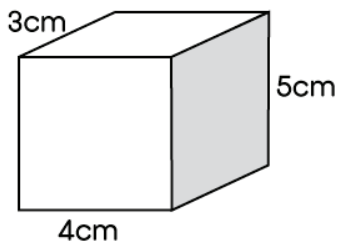
DATE:



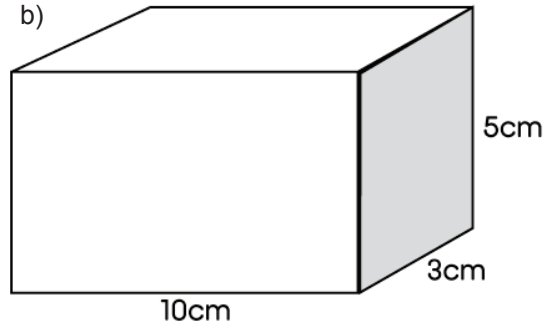
Core

1) Calculate the volumes of the cuboids below:

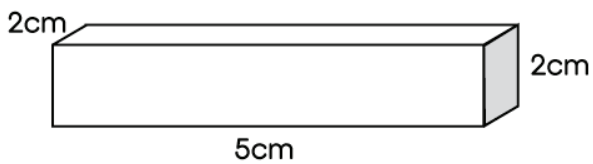
a)



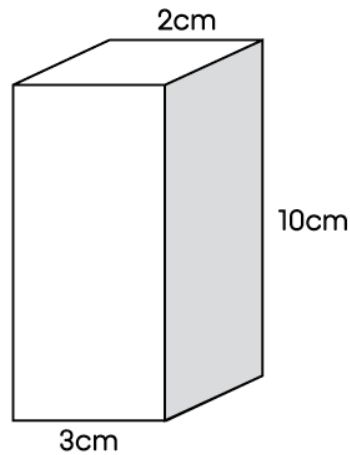
b)



c)



d)



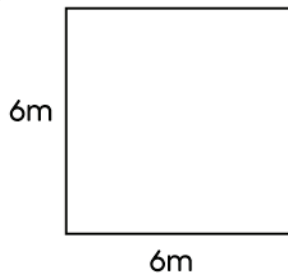


Volume: Counting Stars

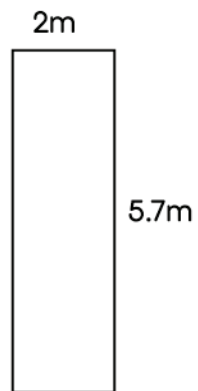
Core

2) Each of the shapes below is the front face of a prism 15cm long. Calculate the volume of each prism.

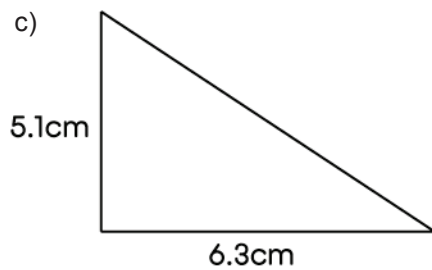
a)



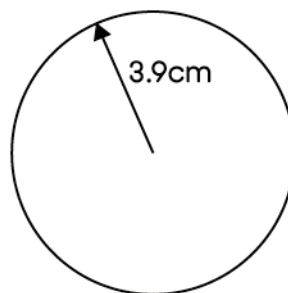
b)



c)



d)



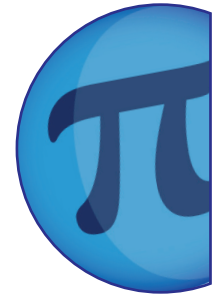


Volume: Counting Stars

NAME:

CLASS:

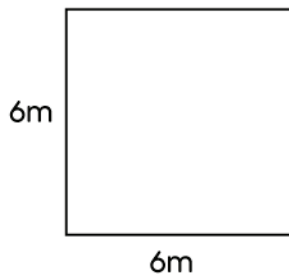
DATE:



Advanced

1) Each of the shapes below is the front face of a prism 15cm long. Calculate the volume of each prism.

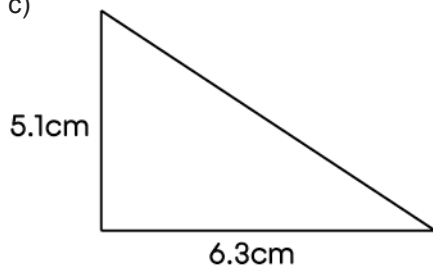
a)



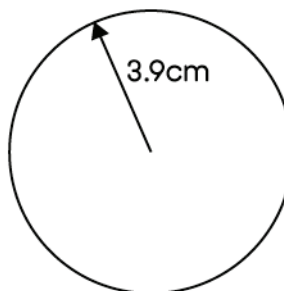
b)



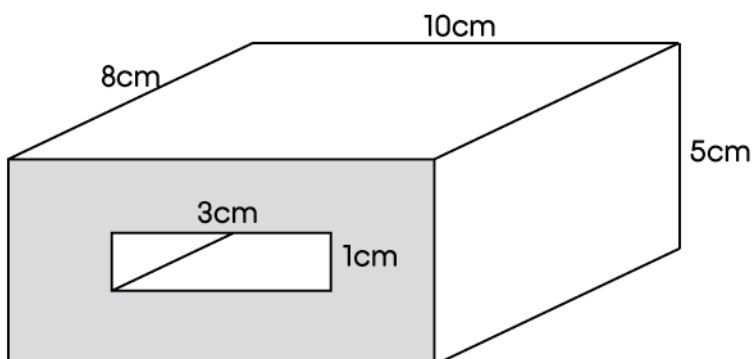
c)



d)



2) Calculate the volume of the prism below.





Volume: Counting Stars

ANSWERS

Basic

- 1) a) 36m^2 b) 11.4m^2 c) 16.065cm^2 d) 47.8cm^2
2) a) 60cm^3 b) 150cm^3 c) 20cm^3 d) 60cm^3

Core

- 1) a) 60cm^3 b) 150cm^3 c) 20cm^3 d) 60cm^3
2) a) 540cm^3 b) 171cm^3 c) 241cm^3 d) 717cm^3

Advanced

- 1) a) 540cm^3 b) 171cm^3 c) 241cm^3 d) 717cm^3
2) 376cm^3